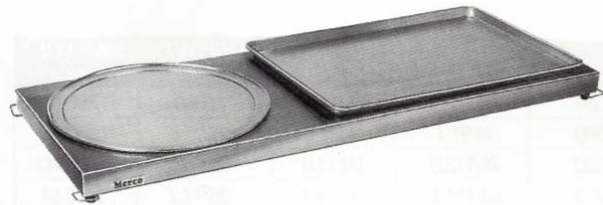




## **PARTS & SERVICE MANUAL for TS-24, 36, 48, 60 and 72 Thermal Shelves**



*Model TS-48 Shown*

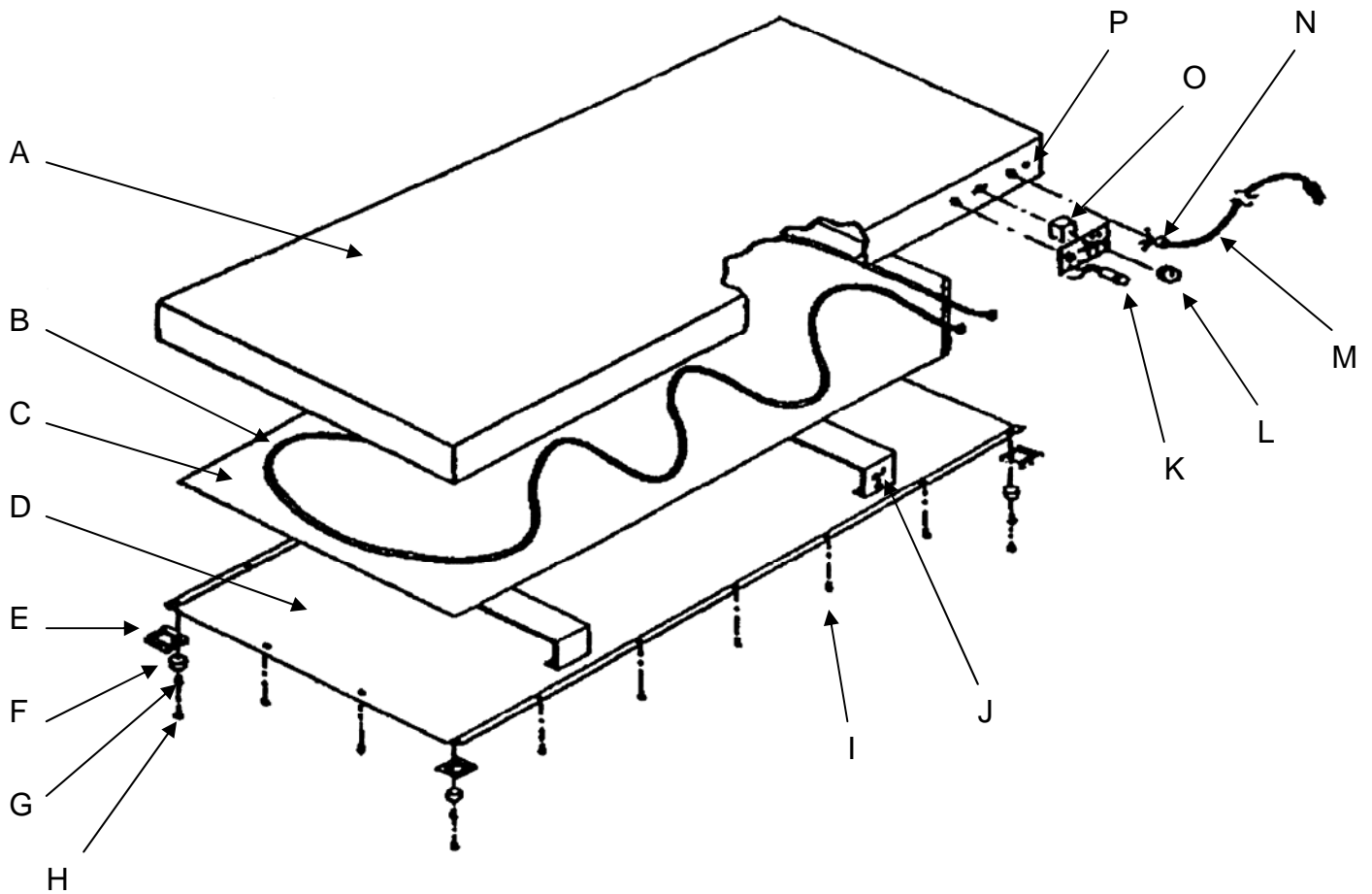
The Merco Thermal Shelves are manufactured from .090" aluminum specifically selected for even heat transfer. All units are heliarc welded for strength and rust-free long life. The insulated heat and cable base combined with the infinitely adjustable heat control lets you "dial-in" precise warming for any requirement.

The Merco thermal Shelves are engineered for efficient, dependable service throughout the years. Like any piece of fine equipment with moving parts and broad temperature ranges, physical wear takes its toll. When this happens, the information found in this manual will prove very helpful. Although the instructions are easy to follow, all repair procedures should be carried out by a qualified Merco Certified Service Representative.



**• THIS MANUAL SHOULD BE RETAINED FOR FUTURE REFERENCE •**

## TS REPLACEMENT PARTS



• Common Parts To All •

| ITEM # | DESCRIPTION                    | PART #   |
|--------|--------------------------------|----------|
| A      | Thermal Base                   | See List |
| B      | Thermal Cable (Voltage & Size) | See List |
| C      | Coil Cover                     | See List |
| D      | Bottom Cover                   | See List |
| E      | Corner Guard                   | 080001   |
| F      | Foot, Phenolic                 | 000329   |
| G      | No Longer Used                 | N/A      |
| H      | Screw, Foot                    | 000604   |
| I      | Screws                         | 000591   |
| J      | Coil Cover Insert              | 080002   |
| K      | Pilot Light                    | 000274   |
| L      | Knob (Inf Control)             | 000320   |
| M      | Cordset, Voltage               | See List |
| N      | HEYCO Bushing                  | See List |
| O      | Infinite Control (Voltage)     | See List |
| P      |                                |          |

**TS-24/B**

| ITEM # | PART # | DESCRIPTION                     | QUANTITY / UNIT |
|--------|--------|---------------------------------|-----------------|
| A      | **     | Thermal Base, TS-24             | 1               |
| B      | 111560 | Thermal Cable, 120V, 300W, 6.5' | 1               |
|        | 111561 | Thermal Cable, 208V, 300W, 6.5' | 1               |
|        | 111562 | Thermal Cable, 240V, 300W, 6.5' | 1               |
| C      | **     | Coil Cover                      | 1               |
| D      | **     | Bottom Cover                    | 1               |
| E      | 080001 | Corner Guards                   | 4               |
| F      | 000329 | Foot, Rubber                    | 4               |
| H      | 000604 | Screw, Foot                     | 4               |
| J      | 080002 | Coil Cover Insert               | 2               |
| K      | 000274 | Pilot Light                     | 1               |
| L      | 000320 | Knob, For "O"                   | 1               |
| M      | 072036 | Cordset, 120V                   | 1               |
|        | 072037 | Cordset, 208V & 240V            | 1               |
| N      | 000170 | HEYCO, Strain Relief            | 1               |
| O      | 050377 | Infinite Control, 120V          | 1               |
|        | 050378 | Infinite Control, 208V & 240V   | 1               |

NOTE: All parts listed above are for standard units only. Please call factory for custom sizes.

**TS-36/B**

| ITEM # | PART # | DESCRIPTION                    | QUANTITY / UNIT |
|--------|--------|--------------------------------|-----------------|
| A      | **     | Thermal Base, TS-24            | 1               |
| B      | 111661 | Thermal Cable, 120V, 500W, 11' | 1               |
|        | 111662 | Thermal Cable, 208V, 500W, 11' | 1               |
|        | 111663 | Thermal Cable, 240V, 500W, 11' | 1               |
| C      | **     | Coil Cover                     | 1               |
| D      | **     | Bottom Cover                   | 1               |
| E      | 080001 | Corner Guards                  | 4               |
| F      | 000329 | Foot, Rubber                   | 4               |
| H      | 000604 | Screw, Foot                    | 4               |
| J      | 080002 | Coil Cover Insert              | 3               |
| K      | 000274 | Pilot Light                    | 1               |
| L      | 000320 | Knob, For "O"                  | 1               |
| M      | 072036 | Cordset, 120V                  | 1               |
|        | 072037 | Cordset, 208V & 240V           | 1               |
| N      | 000170 | HEYCO, Strain Relief           | 1               |
| O      | 050377 | Infinite Control, 120V         | 1               |
|        | 050378 | Infinite Control, 208V & 240V  | 1               |

NOTE: All parts listed above are for standard units only. Please call factory for custom sizes.

## TS-48/B

| ITEM # | PART # | DESCRIPTION                    | QUANTITY / UNIT |
|--------|--------|--------------------------------|-----------------|
| A      | **     | Thermal Base, TS-24            | 1               |
| B      | 111661 | Thermal Cable, 120V, 500W, 11' | 1               |
|        | 111662 | Thermal Cable, 208V, 500W, 11' | 1               |
|        | 111663 | Thermal Cable, 240V, 500W, 11' | 1               |
| C      | **     | Coil Cover                     | 1               |
| D      | **     | Bottom Cover                   | 1               |
| E      | 080001 | Corner Guards                  | 4               |
| F      | 000329 | Foot, Rubber                   | 4               |
| H      | 000604 | Screw, Foot                    | 4               |
| J      | 080002 | Coil Cover Insert              | 4               |
| K      | 000274 | Pilot Light                    | 1               |
| L      | 000320 | Knob, For "O"                  | 1               |
| M      | 072036 | Cordset, 120V                  | 1               |
|        | 072037 | Cordset, 208V & 240V           | 1               |
| N      | 000170 | HEYCO, Strain Relief           | 1               |
| O      | 050377 | Infinite Control, 120V         | 1               |
|        | 050378 | Infinite Control, 208V & 240V  | 1               |

NOTE: All parts listed above are for standard units only. Please call factory for custom sizes.

## TS-60/B

| ITEM # | PART # | DESCRIPTION                    | QUANTITY / UNIT |
|--------|--------|--------------------------------|-----------------|
| A      | **     | Thermal Base, TS-24            | 1               |
| B      | 111775 | Thermal Cable, 120V, 750W, 14' | 1               |
|        | 111776 | Thermal Cable, 208V, 750W, 14' | 1               |
|        | 111777 | Thermal Cable, 240V, 750W, 14' | 1               |
| C      | **     | Coil Cover                     | 1               |
| D      | **     | Bottom Cover                   | 1               |
| E      | 080001 | Corner Guards                  | 4               |
| F      | 000329 | Foot, Rubber                   | 4               |
| H      | 000604 | Screw, Foot                    | 4               |
| J      | 080002 | Coil Cover Insert              | 5               |
| K      | 000274 | Pilot Light                    | 1               |
| L      | 000320 | Knob, For "O"                  | 1               |
| M      | 072036 | Cordset, 120V                  | 1               |
|        | 072037 | Cordset, 208V & 240V           | 1               |
| N      | 000170 | HEYCO, Strain Relief           | 1               |
| O      | 050377 | Infinite Control, 120V         | 1               |
|        | 050378 | Infinite Control, 208V & 240V  | 1               |

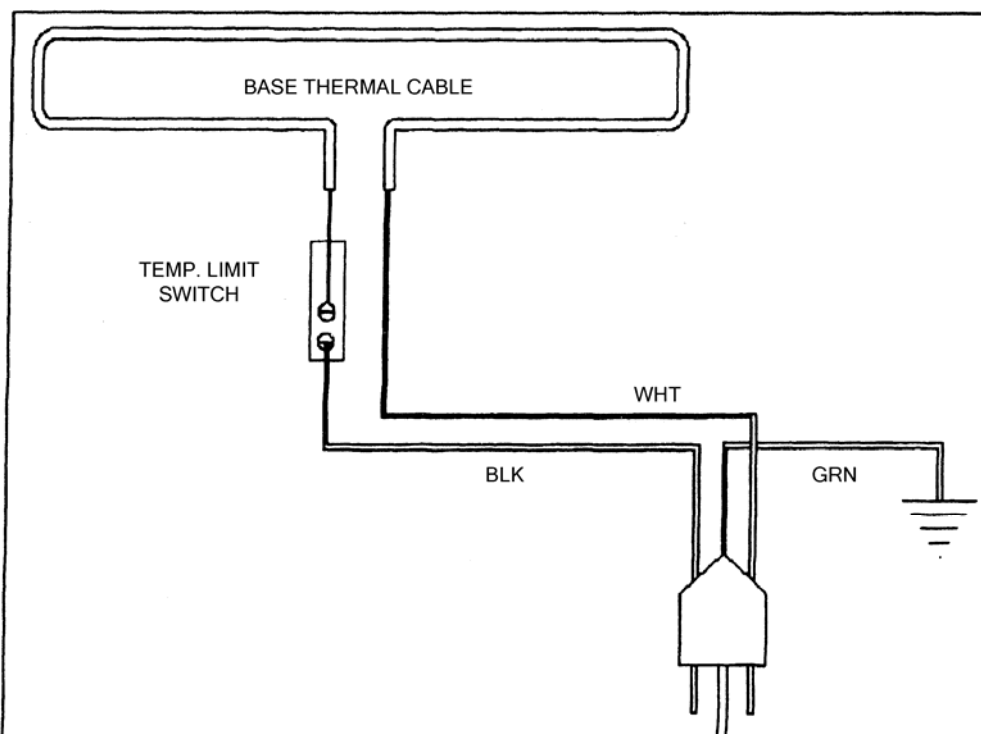
NOTE: All parts listed above are for standard units only. Please call factory for custom sizes.

## TS-72/B

| ITEM # | PART # | DESCRIPTION                    | QUANTITY / UNIT |
|--------|--------|--------------------------------|-----------------|
| A      | **     | Thermal Base, TS-24            | 1               |
| B      | 111775 | Thermal Cable, 120V, 750W, 14' | 1               |
|        | 111776 | Thermal Cable, 208V, 750W, 14' | 1               |
|        | 111777 | Thermal Cable, 240V, 750W, 14' | 1               |
| C      | **     | Coil Cover                     | 1               |
| D      | **     | Bottom Cover                   | 1               |
| E      | 080001 | Corner Guards                  | 4               |
| F      | 000329 | Foot, Rubber                   | 4               |
| H      | 000604 | Screw, Foot                    | 4               |
| J      | 080002 | Coil Cover Insert              | 6               |
| K      | 000274 | Pilot Light                    | 1               |
| L      | 000320 | Knob, For "O"                  | 1               |
| M      | 072036 | Cordset, 120V                  | 1               |
|        | 072037 | Cordset, 208V & 240V           | 1               |
| N      | 000170 | HEYCO, Strain Relief           | 1               |
| O      | 050377 | Infinite Control, 120V         | 1               |
|        | 050378 | Infinite Control, 208V & 240V  | 1               |

NOTE: All parts listed above are for standard units only. Please call factory for custom sizes.

## WIRING DIAGRAM



## THERMAL SHELF TROUBLESHOOTING CHART

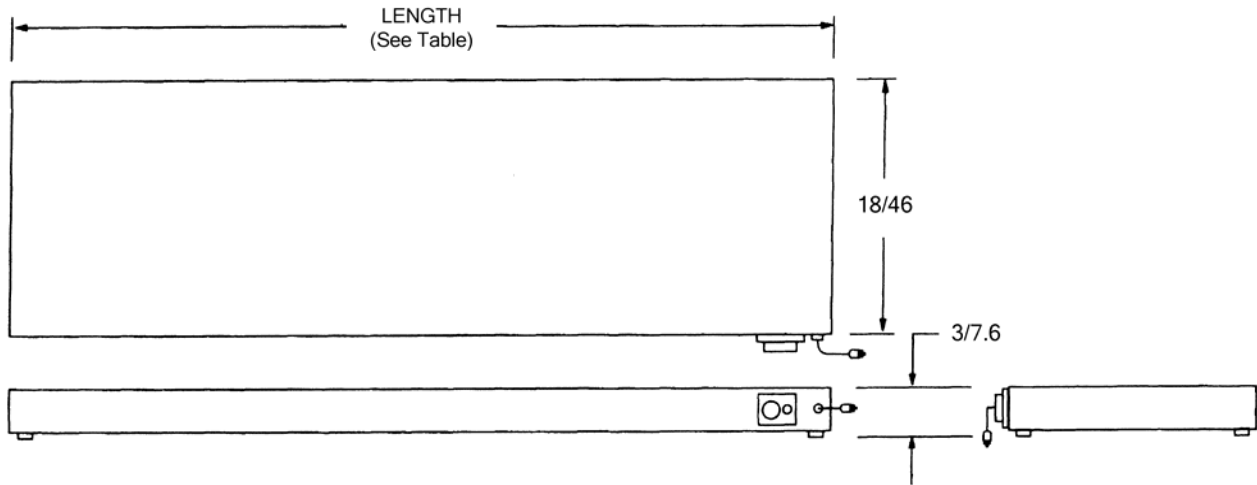
| PROBLEM   | REMEDY   |
|---|--|
| Unit won't heat   | A. Is unit plugged in?                                   |
|   | B. Is switch turned on?                                  |
|   | C. Check cord and main power leads.                      |
|   | D. Check Thermal Cable                                   |
|   | E. Check switch.   |
| Unit temperature does not change after adjusting Infinite Control up or down. | A. Infinite Control has failed and needs to be replaced. |
|   | Note: Not applicable on units with Toggle Switch.        |

## THERMAL CABLE REPLACEMENT INSTRUCTIONS

1. Disconnect power supply from the unit.
2. Turn unit upside down.
3. Remove screws holding bottom cover.
4. Remove bottom cover.
5. Remove coil cover inserts.
6. Remove coil cover.
7. Disconnect Thermal Cable from switch.
8. Remove tape holding Thermal Cable to base.
9. Remove Thermal Cable from the unit.
10. Reassemble in reverse order.

## DIMENSIONS

(inches/cm)



## SPECIFICATIONS

(Standard Models)

| Model # | Voltage / Amps |     |     | Watts | Length<br>Inches/cm | Net Wt.*<br>lbs./kg. | Ship Wt.*<br>lbs./kg. | Ship Vol.*<br>cu. ft./cu. m. |
|---------|----------------|-----|-----|-------|---------------------|----------------------|-----------------------|------------------------------|
|         | 120            | 208 | 240 |       |                     |                      |                       |                              |
| TS-24   | 2.5            | 1.4 | 1.3 | 300   | 24/61.0             | 13/6.0               | 19/9.0                | 0.75/0.021                   |
| TS-36   | 4.2            | 2.4 | 2.1 | 500   | 36/91.4             | 18/8.2               | 25/11.4               | 1.1/0.031                    |
| TS-48   | 4.2            | 2.4 | 2.1 | 500   | 48/122.0            | 24/11.0              | 32/15.0               | 1.5/0.042                    |
| TS-60   | 6.3            | 3.6 | 3.1 | 750   | 60/152.4            | 29/13.2              | 38/17.3               | 1.9/0.54                     |
| TS-72   | 6.3            | 3.6 | 3.1 | 750   | 72/183.0            | 35/16.0              | 45/20.4               | 2.3/0.07                     |



Merco Savory, LLC  
1111 North Hadley Road  
Fort Wayne, Indiana 46804  
United States of America

Telephone: (260) 459-8200  
U.S. Fax: (888) 790-8193 • Int'l Fax: (260) 436-0735

Service Hotline: (800) 678-9511

[www.mercosavory.com](http://www.mercosavory.com)

