

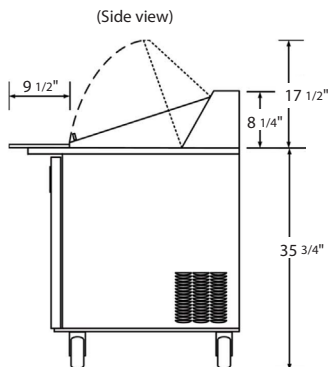
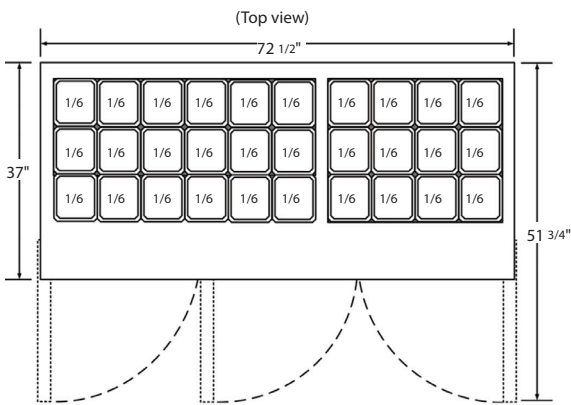
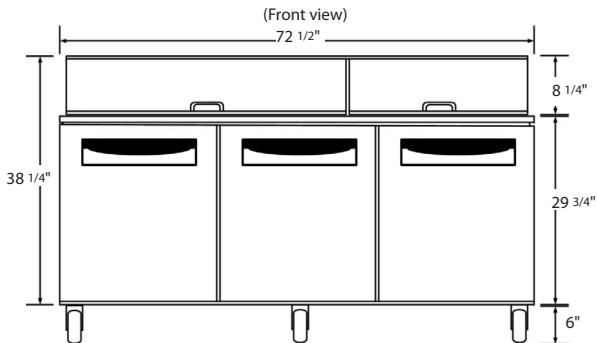


## SUSS-72-30

### TRIPLE DOOR STAINLESS STEEL MEGA TOP SANDWICH PREP TABLE

72" TRIPLE DOOR MEGA TOP SANDWICH PREP REFRIGERATOR FEATURES:

- Durable stainless steel doors
- Stainless steel interior and exterior
- Fully balanced self contained refrigeration system
- Easy grab recessed door handles
- High density CFC free polyurethane insulation
- Spring loaded self-closing doors
- Installed 9 ft power cord comes standard
- Environmentally friendly R-134a refrigerant
- Components optimized for smooth quiet operation
- High density cutting board included
- Oversized compressor and coil section
- Heavy duty castors with two front brakes
- Height adjustable shelving for easy storage solutions



SPECIFICATIONS: SUSS-72-30	
Doors	3 Stainless steel swing doors
Capacity cu. ft.	23 Cu. Ft.
Shelves	3 Epoxy coated wire shelves
Compressor	3/8 HP
Pans Included	30 pc @ 1/6th size container
Dimensions	72.5"W x 37"D x 44"H
Net Weight	362 lbs
Amps	9.9 A
Power	115V / 60Hz
Power Cord	9 Ft.
Temperature	32-40 Degrees F

\* In the pursuit of a better product, durability and performance. SATURN reserves the right to change specifications, materials and design without further notice.

