

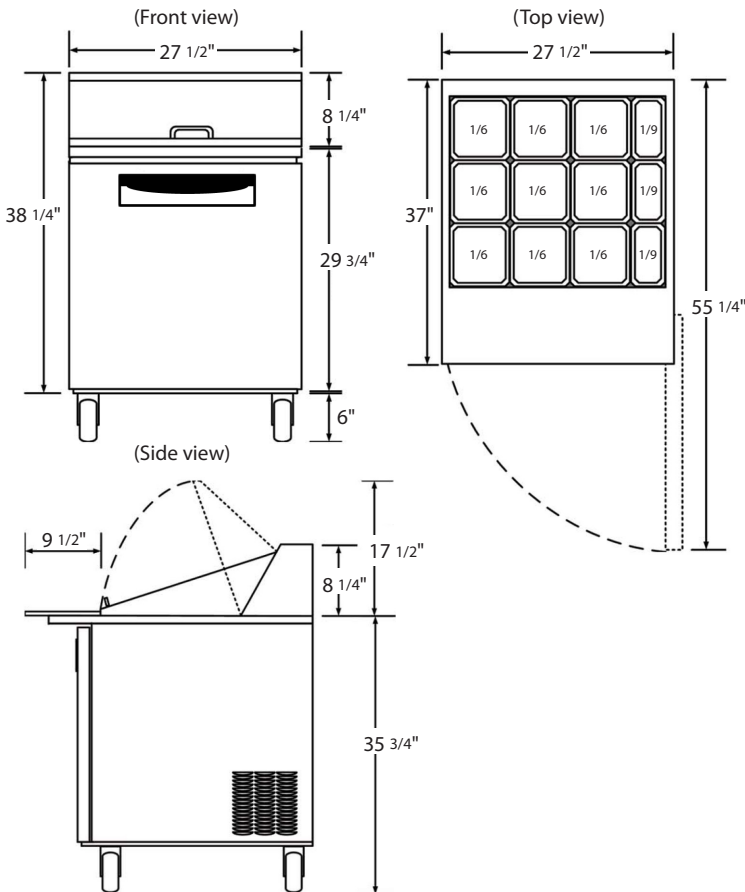


SUSS-27-12

SINGLE DOOR STAINLESS STEEL MEGA TOP SANDWICH PREP TABLE

27" SINGLE DOOR MEGA TOP SANDWICH PREP REFRIGERATOR FEATURES:

- Durable stainless steel door
- Stainless steel interior and exterior
- Fully balanced self contained refrigeration system
- Easy grab recessed door handle
- High density CFC free polyurethane insulation
- Spring loaded self-closing door
- Installed 9 ft power cord comes standard
- Environmentally friendly R-134a refrigerant
- Components optimized for smooth quiet operation
- High density cutting board included
- Oversized compressor and coil section
- Heavy duty castors with two front brakes
- Height adjustable shelving for easy storage solutions



SPECIFICATIONS: SUSS-27-12

Doors	1 Stainless steel swing door
Capacity cu. ft.	8 Cu. Ft.
Shelves	1 Epoxy coated wire shelf
Compressor	1/5 HP
Pans included	9 pc @ 1/6th size - 3 pc @ 1/9th size
Dimensions	27.5" W x 37" D x 44"H
Net Weight	205 lbs
Amps	3.2 A
Power	115V / 60Hz
Power Cord	9 Ft.
Temperature	32-40 Degrees F

* In the pursuit of a better product, durability and performance. SATURN reserves the right to change specifications, materials and design without further notice.

