

# TWO FULL DOOR VALUE-LINE REFRIGERATOR

**JVL-40R**  
40 cu. ft., 2 section



## Why Value Line:

- 2 year *parts & labor* and 5 year compressor warranty!
- Quality product at a much lower price!
- Stainless steel doors!
- Powder coated steel interior & exterior sides!
- 5" casters included!
- Low 76.2" height (height includes casters)!
- Removable top panel for easy serviceability!
- 4 vinyl coated wire shelves per door!
- Self-contained top mounted refrigeration system!



NSF/ANSI Standard 7



C LISTED US

## GENERAL INFORMATION

**Dimensions:** 49.9" (W) x 31.9" (D) x 76.2" (H)

**Cubic Ft.:** 40

**Doors:** 2

**# Shelves:** 8

**Shelf Size:** 24.75"x22.0"

**Unit Weight:** 460 lbs.

**Ship Weight:** 490 lbs.

## TECHNICAL DATA

**Refrigerant:** R-134A

**Start Amps:** 9.48

**Run Amps:** 6.32

**Horsepower:** 1/3

**Volts:** 115

**# Compressors:** 1





**JVL-40R**

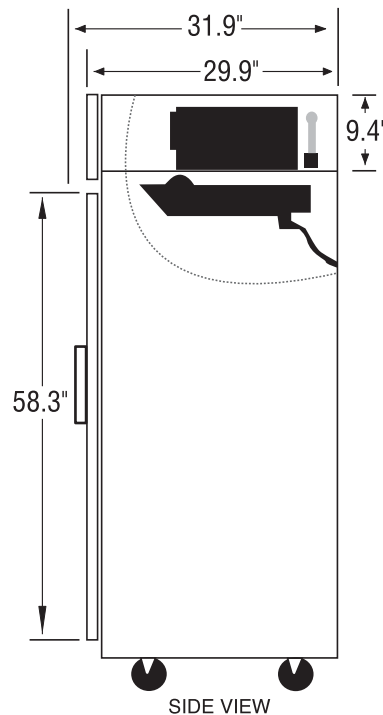
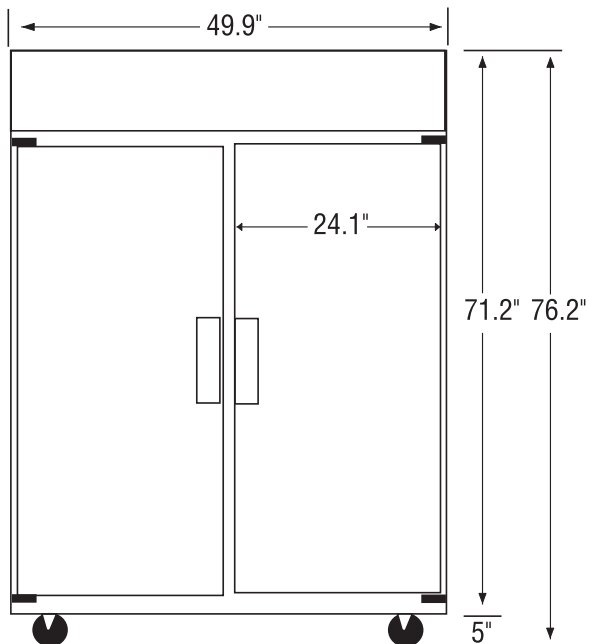
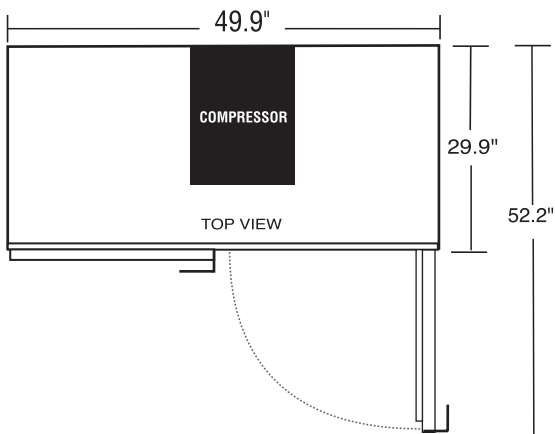
*Two Full Door Value Reach-in Refrigerator*

### ELECTRICAL PLUG



*NEMA 5-15P plug  
5-15R receptacle required*

### DIMENSIONAL INFORMATION



### FEATURES & BENEFITS

- Interior thermostatic control
- Stainless steel doors
- Powder coated steel exterior and interior sides
- Stainless steel interior bottom
- Convenient low 76.2" height box and caster design for easy mobility and installation
- Evaporative electric condensate pan
- 2.5" thick foamed-in-place polyurethane insulation
- Self-contained top mounted refrigeration system
- CFC-free R-134a refrigerant
- 4 vinyl-coated wire shelves per door
- Fully coved interior corners
- 5" casters included
- Automatic door closure with 90° hold open feature
- Snap-in magnetic door gaskets
- Automatic interior light
- *2 year parts & labor and 5 year compressor warranty*

### MATERIALS

- **INTERIOR:** Powder coated steel interior walls and ceiling  
Stainless steel floor  
Vinyl-coated wire shelves
- **EXTERIOR:** Stainless steel door  
Powder coated sides