



PROJECT \_\_\_\_\_  
 QTY. \_\_\_\_\_ ITEM NO. \_\_\_\_\_

Date Modified 3/4/09

# Two Door Deep Undercounter Refrigerator



**JUC-62RD**  
 61.5" wide, 16 cu.ft.



***Stainless steel interior & exterior standard!***  
***Exterior digital temperature controls!***  
***Stainless steel worktop!***  
***Fits 18" x 26" sheet pans!***

**STANDARD FEATURES:**

- Capillary tube
- CFC-free R-134a Refrigerant
- Hot Gas Condensate Evaporator
- Snap-In Magnetic Door Gasket
- Assembled in the USA
- Side-Mounted Condensing System
- Foamed-in-place Polyurethane Insulation
- 4 Vinyl Wire Shelves
- Slide-out Refrigeration System for quick service
- Exterior Digital Temperature Control
- Fully Covered Interior Corners
- Stainless Steel Worktop
- 5" Casters
- 3' Cord & Plug

**MATERIALS:**

**INTERIOR:** Stainless steel interior for durability and appearance.  
 Vinyl-coated wire shelves.

**EXTERIOR:** Stainless steel worktop.  
 Stainless steel cabinet and doors.



NSF/ANSI Standard 7



## DIMENSIONAL DATA:

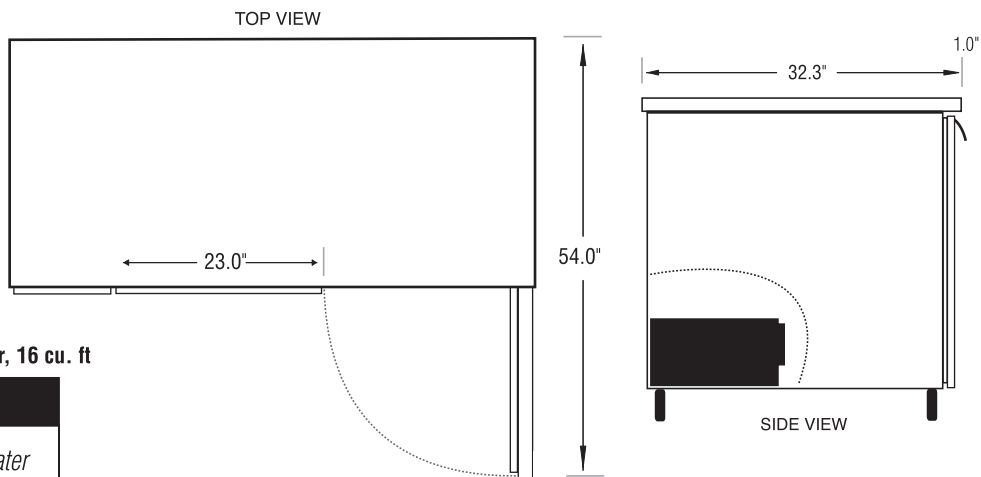
Model No.	L	D	H	Doors	Cu.Ft.	Shelves	H/P	Volt	Amp.	NEMA	Shipping Wt.
JUC-62RD	61.5	33.3	34.8	2	16	4	1/5	115/60/1	4.4	5-15P	340



# Undercounter Refrigerator

## JUC-62RD

Description: Two solid door deep undercounter refrigerator, 16 cu. ft



### Features & Benefits

**Stainless steel interior and exterior** for greater durability, construction and appearance.

**Front breathing** for increased efficiency.

Reinforced door hinges.

Self-contained **side-mounted refrigeration** with high humidity coated fin coil evaporator.

- Holds 32° F to 41° F for refrigerator

Exterior LED temperature display with digital controls.

**Temperature setting is easy, fast and accurate.**

Micro-controller with adjustable temperature variance, automatic defrost intervals, setpoint limits, and parameter locking functions.

2.5" thick, foamed-in-place polyurethane high density insulation.

Four adjustable, vinyl-coated steel wire shelves.

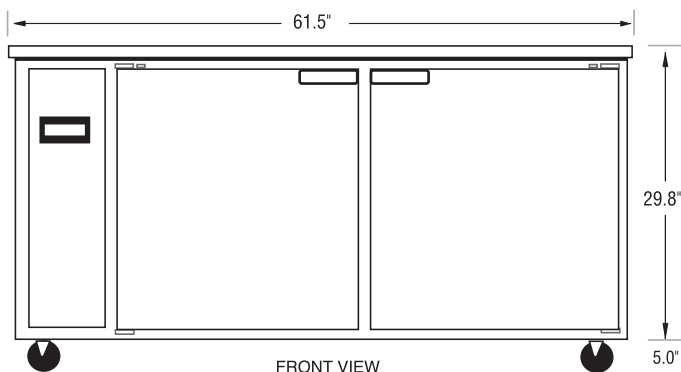
**5" casters included**- for easy mobility and installation.

Heavy-duty **stainless steel worktop**.

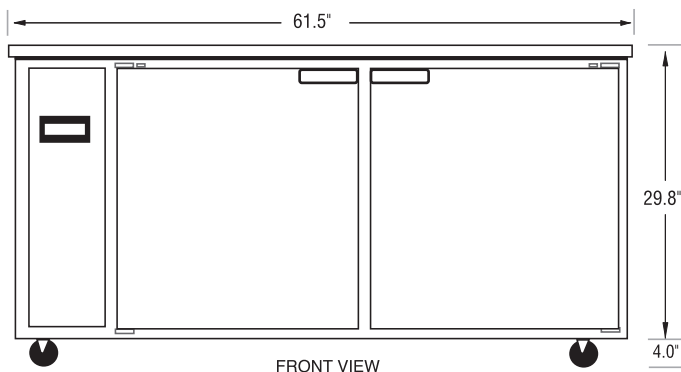
**Self-closing doors** with 90 degree hold-open feature and fully-recessed handle.

Heavy-duty overall construction for high-volume, constant operation.

Hot gas condensate evaporator - no floor drain required!



### ADA Compliant Unit (special casters required)



NEMA 5-15P plug  
5-15R receptacle required

### General Information

**Cubic Ft.:** 16

**Shelf Size:** 21.75" x 24.5"

**Doors:** 2

**#Shelves:** 4

**Exterior:** Stainless

**Unit Weight:** 315 lbs.

**Interior:** Stainless

**Ship Weight:** 340 lbs.

### Technical Data

**Refrigerant:** R-134a

**Volts:** 115

**Start Amps:** 6.89

**#Compressors:** 1

**Run Amps:** 4.4

**Cord Length:** 82 in.

**Horsepower:** 1/5