



Reaching New Heights

Date Modified 10/3/08

Three Door Direct Draw



JDD-80 80.25" wide, 4 (1/2 barrel kegs)

- **Stainless steel interior bottom standard!**
- **Door locks standard!**
- **Stainless Steel countertop standard!**
- **3" diameter stainless steel insulated beer columns!**
- **Direct tower cooling system!**

STANDARD FEATURES:

- Capillary tube
- CFC-free R-134a Refrigerant
- Thermostatic Control
- Assembled in the USA
- Adjustable Bullet Feet (if necessary)
- Foamed-in-place Polyurethane Insulation
- Door Locks
- Side-Mounted Compressor
- 3" Diameter Stainless Steel Insulated Beer Columns
- Air flows into towers directly from evaporator

MATERIALS:

INTERIOR: Stainless steel interior bottom for durability and appearance.
Galvanized powder coated steel walls.

EXTERIOR: Stainless steel countertop
Laminated matte vinyl finish




This equipment is intended for the storage and display of nonpotentially hazardous, bottled or canned products only

NSF/ANSI Standard 7

DIMENSIONAL DATA:

Model No.	L	D	H	Doors	Cu.Ft.	H/P	Volt	Amp.	NEMA	Shipping Wt.
JDD-80	80.25	27.0	36.4	3	21	1/4	115/60/1	6.1	5-15P	370



ASCEND
 Direct Draw
JDD-80

Description: Three door direct draw, 21 cu. ft

Features & Benefits

Stainless steel interior bottom for greater durability, construction and appearance.

Self-contained **side-mounted refrigeration** with high humidity coated fin coil evaporator.

- Holds 33° F to 41° F for refrigerator

2.5" thick, foamed-in-place polyurethane high density insulation.

Stainless steel countertop.

Adjustable bullet feet for extra height requirements (if necessary).

Laminated matte black exterior for extra durability against the elements.

Door locks standard.

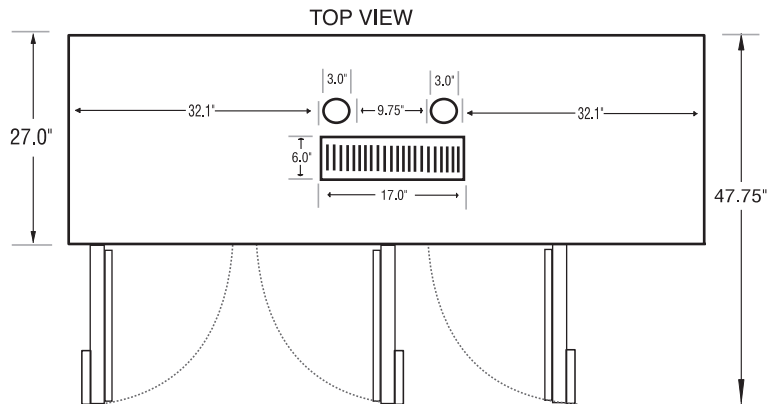
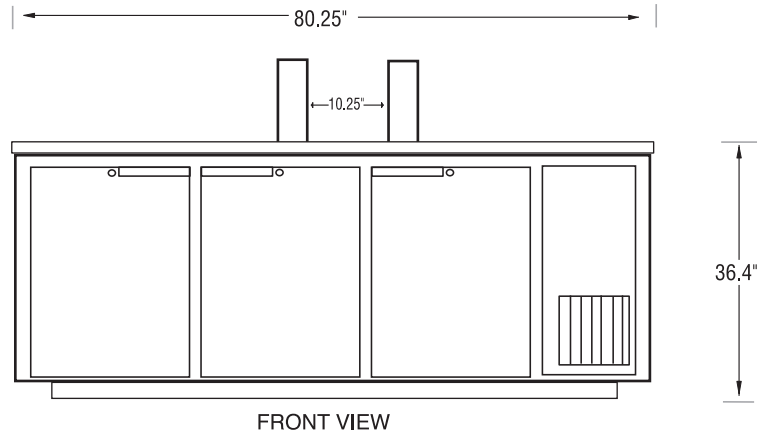
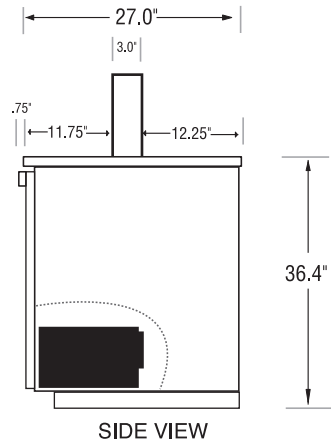
3" diameter stainless steel insulated beer columns.

Connection for exterior drain.

Air flows into towers directly from evaporator.

OPTIONS

- Extra Interior Shelves Qty. _____
- Casters Qty. _____
- Other Specify _____



General Information

Cubic Ft.: 21

#Shelves: 1

Exterior: Laminated vinyl

Unit Weight: 320 lbs.

Interior: Powder Coated Steel, Stainless Steel bottom

Ship Weight: 370 lbs.

Technical Data

Refrigerant: R-134a

Volts: 115

Start Amps: 7.7

#Compressors: 1

Run Amps: 6.1

Cord Length: 76.0 in.

Horsepower: 1/4