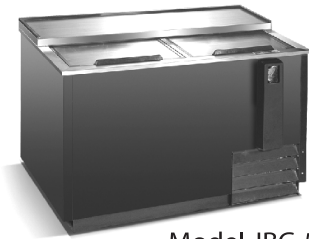


Horizontal Beer Bottle Cooler



Model JBC-50



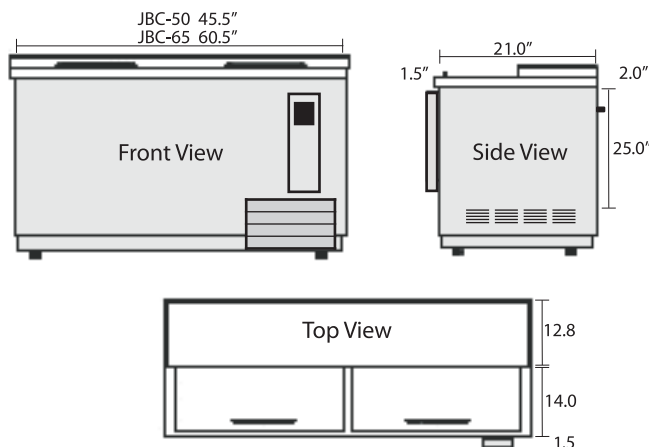
Model JBC-65

FEATURES

- ▶ Matte black powder-coated steel exterior
 - ▶ Galvanized steel walls and 304 stainless steel floor
 - ▶ Heavy-duty 304 stainless steel countertop and lids
 - ▶ Stainless steel sliding lids with lock and key
 - ▶ Vented side mounted compressor
 - ▶ Ventilated spacer on back for proper airflow
 - ▶ Auto defrost
 - ▶ Forced air refrigeration system
 - ▶ Built-on removable bottle opener and cap catcher
 - ▶ Four adjustable bullet feet
 - ▶ Operating temperature range +32 to +50°F
 - ▶ Refrigerant CFC-free R-134a
 - ▶ 8-ft power cord and plug set
- | | | |
|-----------------|----------|----------|
| ▶ Packout: | JBC-50 | JBC-65 |
| • 12 oz bottles | 16 cases | 24 cases |
| • 12 oz cans | 24 cases | 32 cases |

SPECIFICATIONS

Model	Adj Bin Dividers	External Dimensions W x D x H	Cu Ft	Shipping Weight	Amps	H/P	Electrical
JBC-50	3	49.5" x 28.3" x 34.8"	13.5	288	8	1/5	115/120V, 60Hz
JBC-65	3	64.5" x 28.3" x 34.8"	17.3	324	8	1/5	115/120V, 60Hz



WARRANTY
 18 Months Parts and Labor
 5 Years Compressor (part only)

Administered by:
 Metalfrío Solutions
 (888) 403-0070 Toll Free



Certified to ANSI/NSF 7 Standards

Product design and specifications are subject to modification by manufacturer without prior notice.