

Item# \_\_\_\_\_  
Project: \_\_\_\_\_  
Qty: \_\_\_\_\_

# Heater Proofer

**SC1836HP**



**SC1836HPI**



## Features

- All welded heavy duty construction
- SC1836HP - Full size non-insulated
- SC1836HPI - Full size insulated
- UL approved PC clear door
- Door lifts off for easy cleaning and accessibility
- Control panel and easy-to-read LED display on removable bottom control drawer
- Proof mode adjusts humidity between 30% and 100% up to 115 degrees F
- Heat mode with 9 adjustable settings can reach 185° F
- Perfect for storing a wide variety of ready-to-serve dishes
- 36 pan slides accept full size 18" x 26" sheet pans
- Seal in the heat with both magnets and tight-fitting gasket to proper temperature
- Requires a 120V, 1440W electrical connection 15 amp dedicated service
- Comes standard with cord and NEMA 5-15P plug
- UL and NSF listed
- Unit ships with casters (2 brake & 2 non brake)
- 1 year parts and labor warranty

Serv-Ware



Serv-Ware  
[www.servware.com](http://www.servware.com)

Phone:(800).768.5953

Revised 6/18

Fax:(800).976.1299



Item# \_\_\_\_\_

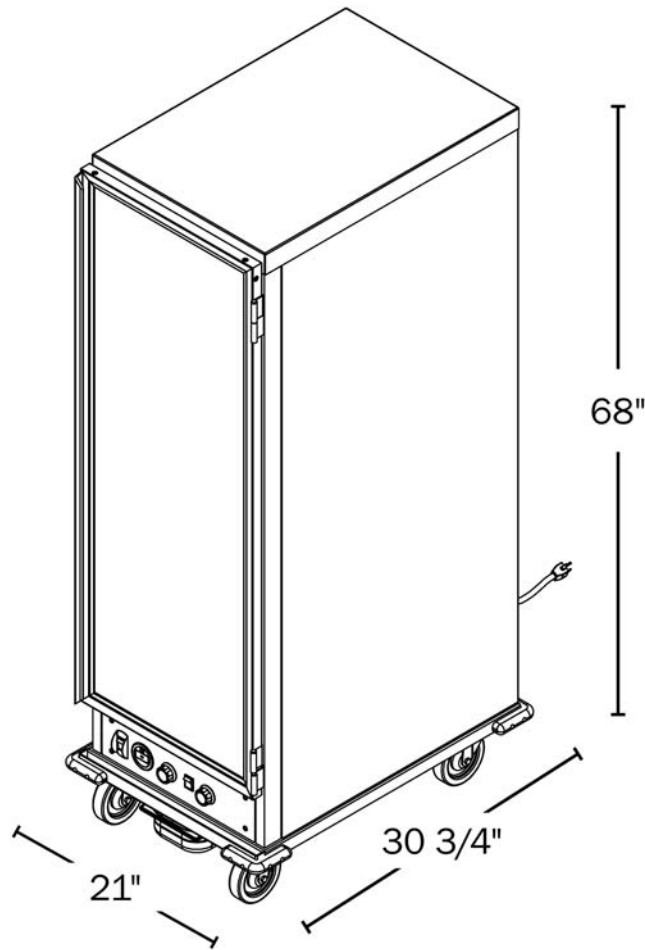
Project: \_\_\_\_\_

Qty: \_\_\_\_\_

# Heater Proofer

**SC1836HP**

**SC1836HPI**



NEMA 5-15P

Serv-Ware

<b>Model</b>	<b>Watts/ Volts/Hz</b>	<b>Interior Dimensions</b> (W x D x H)	<b>Outside Dimensions</b> (W x D x H)	<b>Weight</b> (Shipping)
SC1836HP	1,440/120/60	18" x 52 3/4" x 27 1/4"	21" x 30 3/4" x 68"	178.5 lbs.
SC1836HPI	1,440/120/60	18" x 52 3/4" x 27 1/4"	21" x 30 3/4" x 68"	178.5 lbs.



Serv-Ware  
[www.servware.com](http://www.servware.com)

Phone: (800).768.5953

Revised 6/18

Fax: (800).976.1299

