

UPRIGHT REACH-IN REFRIGERATORS

Top Mounted Condensing Unit



EVEREST
REFRIGERATION

www.EVERESTref.com

ES – Series

• ESR1 • ESRH2 • ESR2 • ESRH4 • ESWR2 • ESR3



ESR1



ESRH2



ESR2



ESRH4



ESWR2



ESR3

Cabinet Construction

Heavy duty stainless steel interior and exterior, with galvanized steel finished top, bottom and back wall of exterior. ABS evaporator drain cover. 2.5" thick high density foamed-in-place polyurethane insulation. Four 4" diameter casters (front casters with brakes). Door heater installed around inside cabinet frame to prevent moisture build-up.

Refrigeration System

- Self-contained condensing unit located at top of cabinet for high performance
- Oversized condenser and evaporator coils quickly achieve and maintain desired temperature
- Forced-air cooling with multiple evaporator fan motors providing balanced airflow throughout cabinet to ensure faster temperature drop
- Environmentally friendly CFC free R-134A refrigerant
- Adjustable, time initiated defrost cycle of 3 to 12 hours with 350 watt defrost heater, both time and temperature terminated for fail-safe operation
- Automatic evaporator fan motor delay after defrost cycle
- Copper tube and aluminum fin evaporator with anti-corrosive coating
- Exterior anodized aluminum drain pan for self sufficient condensation removal
- Pressure relief ports for rapid re-entry
- Interior airflow backward to ensure proper air circulation
- Pre-wired and ready to plug, 115V/60Hz/1Ph, NEMA 5-15P

Doors

- Heavy duty stainless steel interior and exterior
- 2.5" thick high density foamed-in-place polyurethane insulation
- Rounded corners for a sleek and modern appearance
- Heavy duty adjustable torsion spring self-closing door system
- One piece snap-in magnetic door gaskets for easy replacement
- Heavy duty recessed door handles
- Door locks
- Field reversible doors (*available from 2013 models except ESRH4*)

Lighting

- Shielded incandescent interior lighting

Shelving

- Three epoxy coated wire shelves per section
- Stainless steel pilasters and shelf clips

Temperature Control

- Factory preset temperature, 35°F
- Temperature setting range from 33°F to 54°F
- Easy to read digital temperature display
- Easy to program push button temperature control
- Microchip digital control and monitoring system with a variety of functions to monitor and maintain optimum temperature

• Project / Customer _____

• Item No. _____

• Model No. _____

Warranty



5 Year — Compressor Warranty
3 Year — Parts & Labor Warranty

Contact



201 W. Artesia Blvd, Compton, CA 90220
T. (310) 323-6586, (800) 444-6285
F. (310) 323-7524, (310) 761-1127

UPRIGHT REACH-IN REFRIGERATORS

Top Mounted Condensing Unit



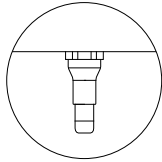
EVEREST
REFRIGERATION

www.EVERESTref.com

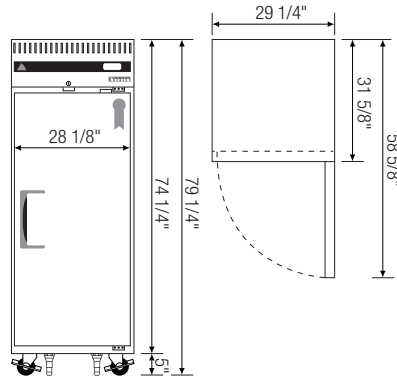
ES – Series

• ESR1 • ESRH2 • ESR2 • ESRH4 • ESWR2 • ESR3

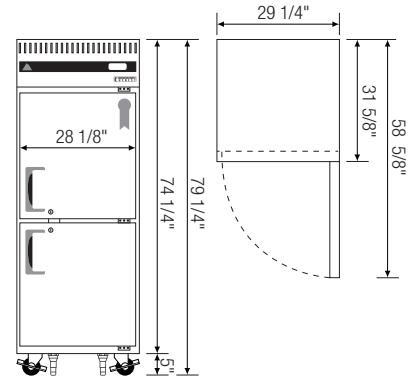
Dimensions



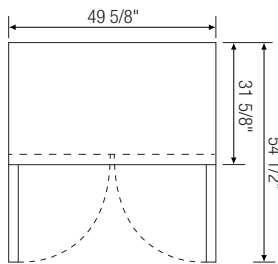
Two additional front adjustable stainless steel clad ABS legs for model ESR1 and ESRH2 to provide extra stability when opening and closing doors, and one additional leg for model ESR3 for weight support.



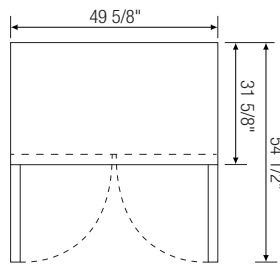
▲ ESR1



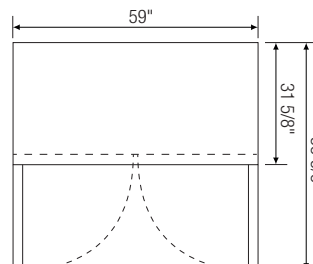
▲ ESRH2



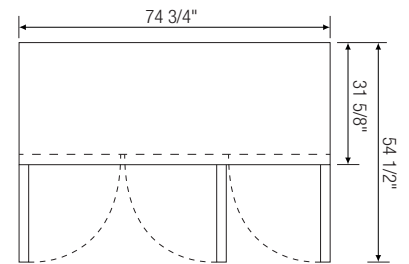
▲ ESR2



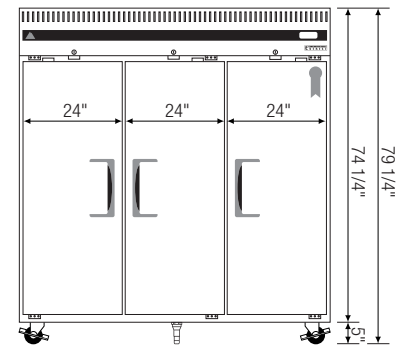
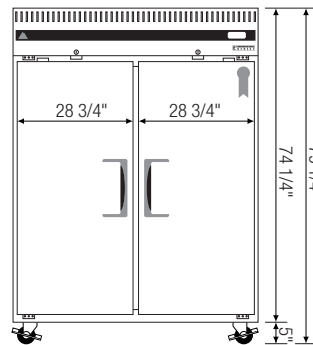
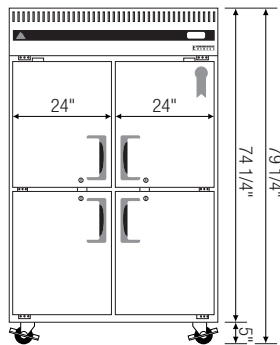
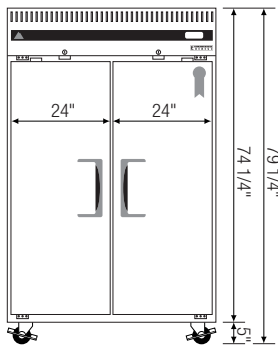
▲ ESRH4



▲ ESWR2



▲ ESR3



Model	Ref/ Frz/ Dual	# of Doors	Capacity (Cu.Ft.)	HP	Refrigerant	# of Shelves	Power (V-Hz-Ph)	Amps	Crated Weight (LBS)	Exterior Dimensions (Inches)			* Height does not include 5" for casters Ref = Refrigerator Frz = Freezer Dual = Ref & Frz Combo H = Half Door
										L	D	H*	
ESR1	Ref	1	23	1/3	R-134A	3	115-60-1	5.25	297	29 1/4	31 5/8	74 1/4	
ESRH2	Ref	2(H)	23	1/3	R-134A	3	115-60-1	5.25	299	29 1/4	31 5/8	74 1/4	
ESR2	Ref	2	48	1/3	R-134A	6	115-60-1	4.92	401	49 5/8	31 5/8	74 1/4	
ESRH4	Ref	4(H)	48	1/3	R-134A	6	115-60-1	4.92	398	49 5/8	31 5/8	74 1/4	
ESWR2	Ref	2	55	1/3	R-134A	6	115-60-1	4.92	444	59	31 5/8	74 1/4	
ESR3	Ref	3	71	1/3 x 2	R-134A	9	115-60-1	11.12	615	74 3/4	31 5/8	74 1/4	

Disclaimer: Product dimensions are for general purposes and not absolute value. Slight variations may exist. If dimensions are critical, please contact Everest.