

ESHP-2
ESHP-4
ESHP-6

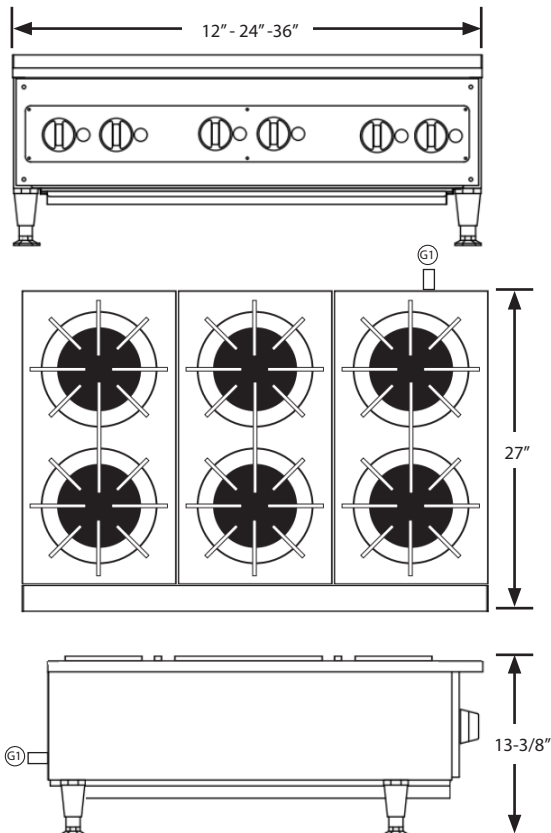
MEDIUM DUTY GAS HOTPLATES



ESHP-6

FEATURES:

- Stainless and aluminized steel, fully welded construction to eliminate grease and dirt accumulation
- U-shaped burner design allows for efficient heat distribution and faster heat recovery
- Designed to be used with charbroiler rocks or radiant setup
- Cool touch bull-nose design protects user from hot surfaces
- Welded in place stainless steel side splash installed
- Heavy duty 6" legs with height adjustable bullet feet
- Full width drip pan tray for easy cleaning
- 19" cooking surface depth
- Shipped with natural gas - includes kit with regulator and field conversion for propane
- Narrow or wide burner grates dispense excess fat while reducing smoke and flames
- Rear adaptor bar for angled cooking grates allow for slower cooking and better heat control
- Cool touch chrome knobs with visible on/off indicators



ESHP-2 MEDIUM DUTY 2 BURNER 12" GAS HOTPLATE

Dimensions (L X W X H)	27" x 12" x 13-3/8"
Burners	2
Power	ⓐ 3/4" NPT gas connection
BTU	52,000
Shipping weight	98 lbs

ESHP-4 MEDIUM DUTY 4 BURNER 24" GAS HOTPLATE

Dimensions (L X W X H)	27" x 24" x 13-3/8"
Burners	4
Power	ⓐ 3/4" NPT gas connection
BTU	104,000
Shipping weight	169 lbs

ESHP-6 MEDIUM DUTY 6 BURNER 36" GAS HOTPLATE

Dimensions (L X W X H)	27" x 36" x 13-3/8"
Burners	6
Power	ⓐ 3/4" NPT gas connection
BTU	156,000
Shipping weight	230 lbs

* In the pursuit of a better product, durability and performance. SATURN reserves the right to change specifications, materials and design without further notice.

Warranty: 1 year parts and labor.