

Item# \_\_\_\_\_  
Project: \_\_\_\_\_  
Qty: \_\_\_\_\_

# Electric Fryers

**EF-06L**



**EF-06L-2**



## Features

- Stainless steel construction
- Stainless steel heating element for high efficiency
- EF-06L single basket / EF-06L-2 dual basket
- Durable heavy duty baskets
- 1.5 gallon (6L) oil capacity per basin
- Thermostatic control
- Hi-limit over heat protection 446° F
- Operational temperature range 140-375° F
- 120 volt / 60 hz / 1 phase with NEMA 5-15 plug
- 6 month replacement parts only warranty

Serv-Ware



Serv-Ware  
[www.servware.com](http://www.servware.com)

Phone:(800).768.5953

Revised 5/18

Fax:(800).976.1299

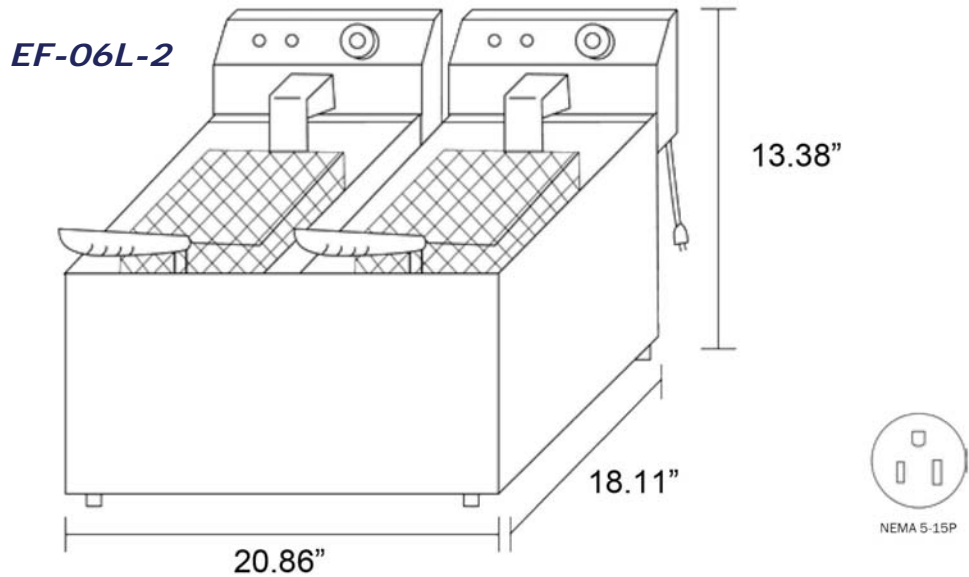
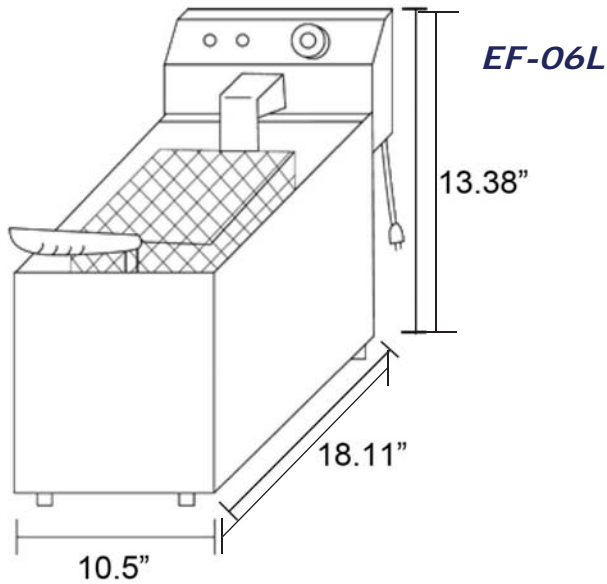


Item# \_\_\_\_\_

Project: \_\_\_\_\_

Qty: \_\_\_\_\_

# Electric Fryers



Serv-Ware

<b>Model</b>	<b>Watts/ Volts/Hz</b>	<b>Outside Dimensions</b> (W x D x H)	<b>Weight</b> (Shipping)
EF-06L	1800W/120V	10.5" x 18.11" x 13.38"	29 lbs.
EF-06L-2	1800W (2) / 120V	20.86" x 18.11" x 13.38"	58 lbs.



Serv-Ware  
[www.servware.com](http://www.servware.com)

Phone: (800).768.5953

Revised 5/18

Fax: (800).976.1299

