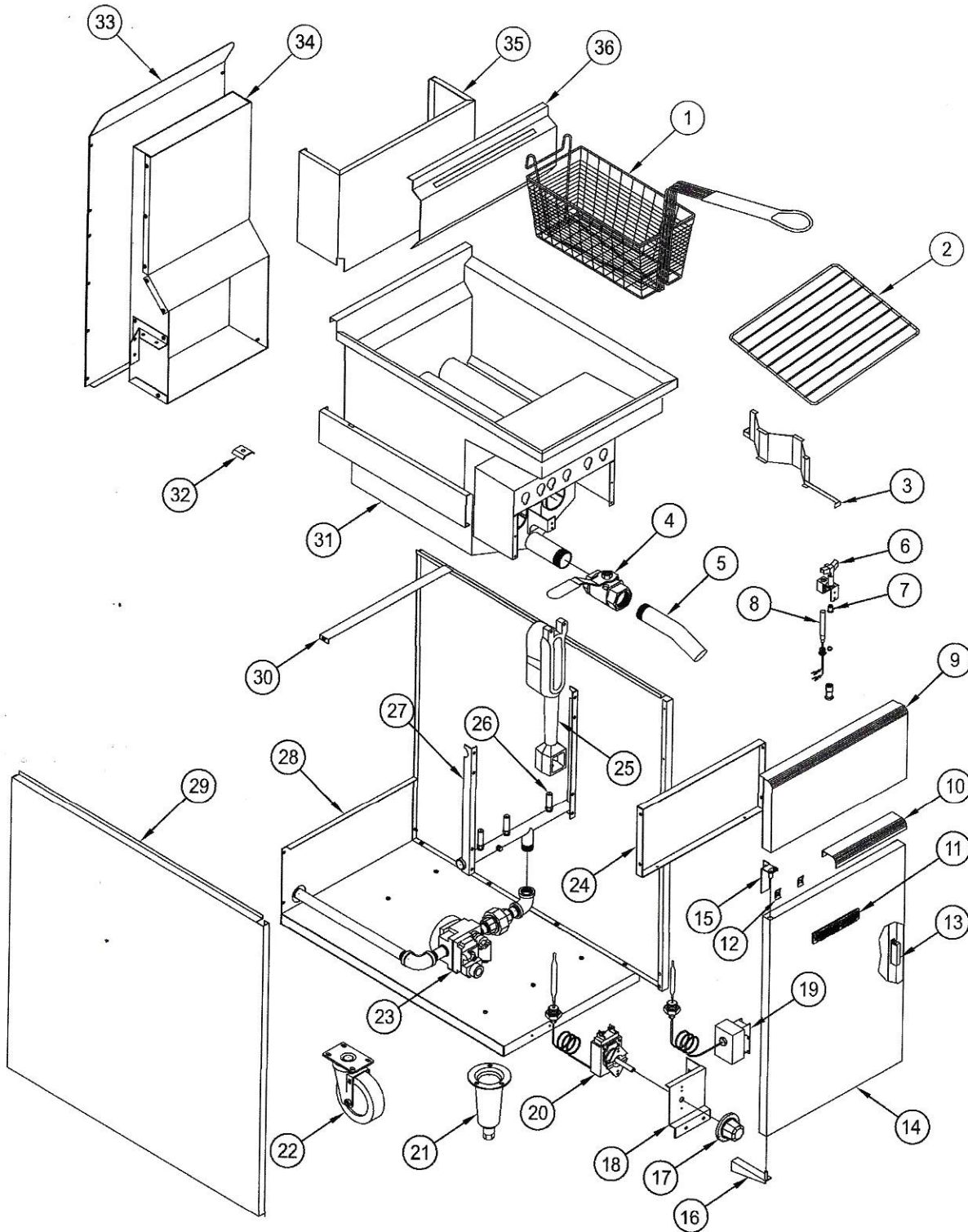


AF-45



WIRING DIAGRAM

