



REACHING NEW HEIGHTS

1575 Zephyr Avenue
Hayward, CA 94544
Phone: (510) 477-3400
Fax: (510) 477-3412
www.ascendmfg.com
info@ascendmfg.com

© 2011 ASCEND is a registered trademark of Jimex Corporation

Date Modified 3/18/2011

ABM-48R Two Solid Door Refrigerator

48 cu. ft.

PROJECT _____

QTY. ____ ITEM NO. _____

Standard Features

- 2 Year Parts & Labor Warranty
- 5 Year Compressor Warranty
- Fully Recessed Door Handles
- Hot Gas Anti-Sweat Door Heaters
- Sliding Shelf System
- Evaporative Hot Gas Condensate Pan
- Exterior LED Digital Temperature Control
- Reinforced Door Hinges
- Environmentally Friendly CFC-free R-134A Refrigerant
- Self-Contained Bottom Mounted Compressor
- 2.5" Inch Thick Foamed-In-Place Polyurethane Insulation
- 6 Adjustable Vinyl-Coated Wire Shelves
- Fully Covered Interior Corners
- 5" Inch Casters Included
- Snap-in Magnetic Door Gaskets
- Standard Door Lock
- Automatic Door Closure with 90° Hold Open Feature
- Holds 33° F to 41° F as a Refrigerator
- Assembled in the USA

Materials

- INTERIOR: Stainless steel interior walls, floor and ceiling
Vinyl-coated wire shelves
- EXTERIOR: Stainless steel sides and doors



ASCEND Energy Star Certified refrigerators save \$500 to \$650 in energy costs per lifetime



GENERAL INFORMATION

Dimensions (inches): 53.5" (W) x 32.0" (D) x 81.8" (H)

Doors: 2

Unit Weight (lbs): 470

No. of Shelves: 6

Ship Weight (lbs): 510

Cubic Ft.: 48

Shelf Size (inches): 25.0" x 20.75"

Cord Length (inches): 82

TECHNICAL DATA

Refrigerant: R-134A

Horsepower: 1/2

Start Amps: 8.6

Volts: 115

Run Amps: 7.7

No. of Compressors: 1

ABM-48R Two Solid Door Refrigerator

48 cu. ft.



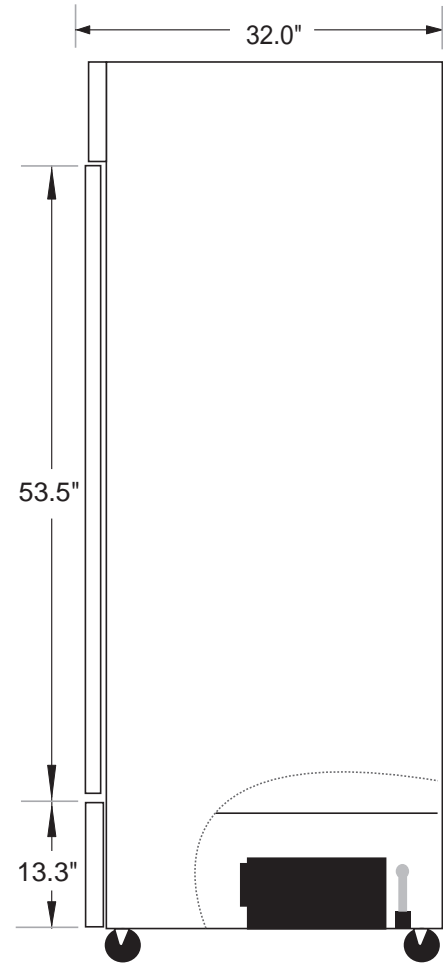
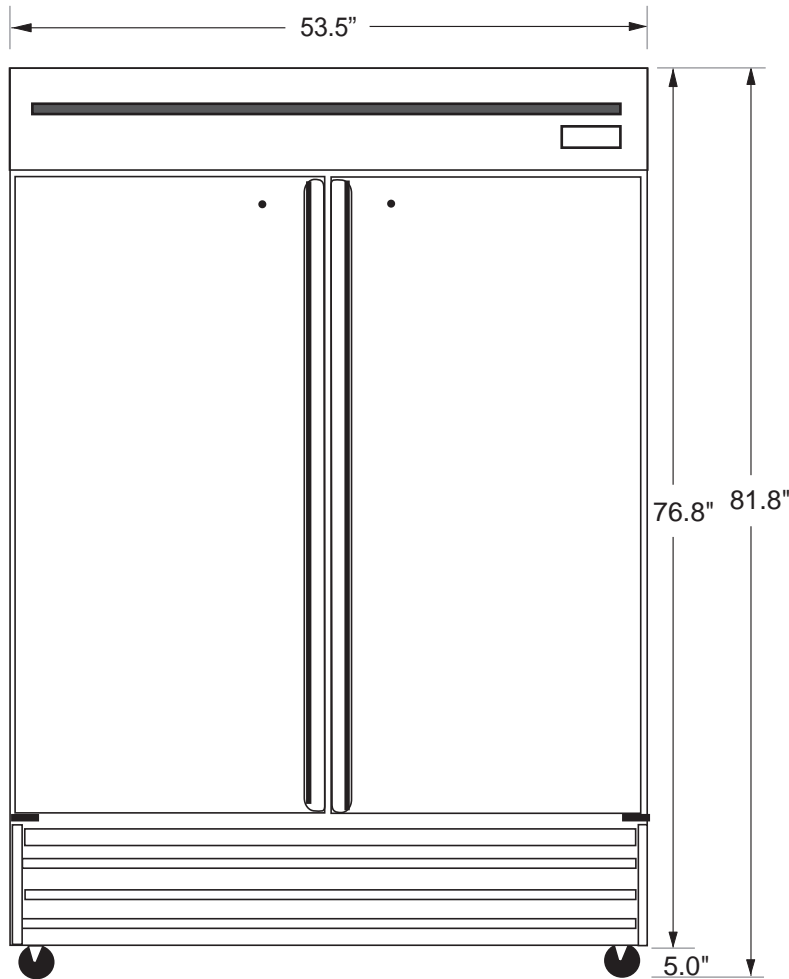
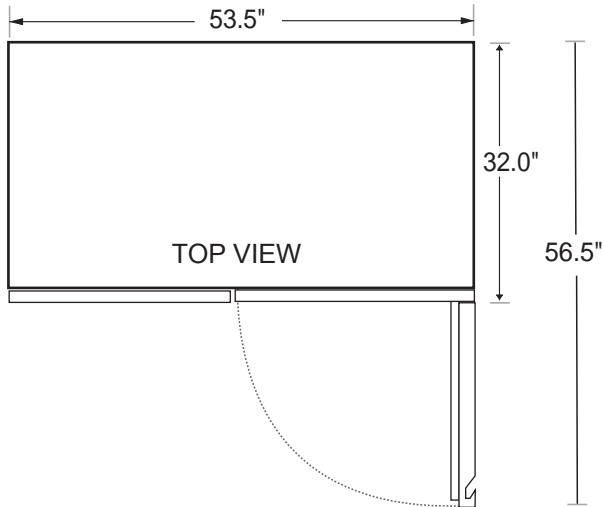
- Energy Star Certified for Long Term Savings
- 2 Year Parts & Labor Warranty
- 5 Year Compressor Warranty
- Assembled in the USA



1575 Zephyr Avenue
Hayward, CA 94544
Phone: (510) 477-3400
Fax: (510) 477-3412
www.ascendmfg.com
info@ascendmfg.com

© 2011 ASCEND is a registered trademark of Jimex Corporation

DIMENSIONAL INFORMATION



ELECTRICAL PLUG



NEMA 5-15P plug
5-15R receptacle
required

AVAILABLE FACTORY OPTIONS

- ABM-48R-2G: 2 Glass Door option available
- ABM-48R-1GL or R: Glass Door option available