

# COMPONENT HARDWARE®

090005

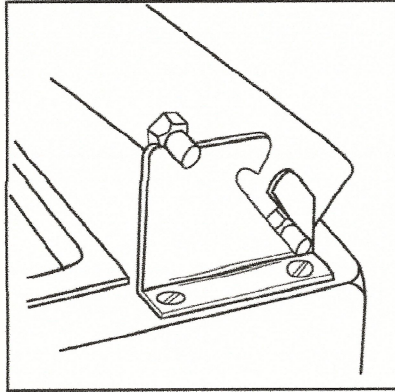
## STAINLESS STEEL LID COVER BRACKET ASSEMBLY

- EASY INSTALLATION
- LIFT-OFF DESIGN

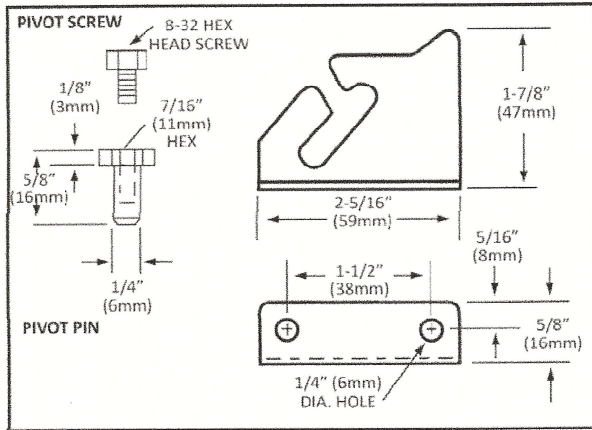
CAN BE FASTENED TO STAINLESS STEEL LIDS OR PLASTIC BUBBLE COVERS. DESIGNED FOR EASY LIFT-OFF AND FOR HOLD-OPEN POSITION FOR EASE OF SERVING.

MODEL NO. J33-1532

ASSEMBLY CONSISTS OF RIGHT & LEFT HAND BRACKETS COMPLETE WITH 4 PIVOT PINS WITH SCREW.



O'MORPHA # 090005



FOR STAINLESS STEEL PIVOT PINS...ORDER MODEL NO. J32-X001  
FOR STAINLESS STEEL PIVOT SCREWS...ORDER MODEL NO. J32-X002